

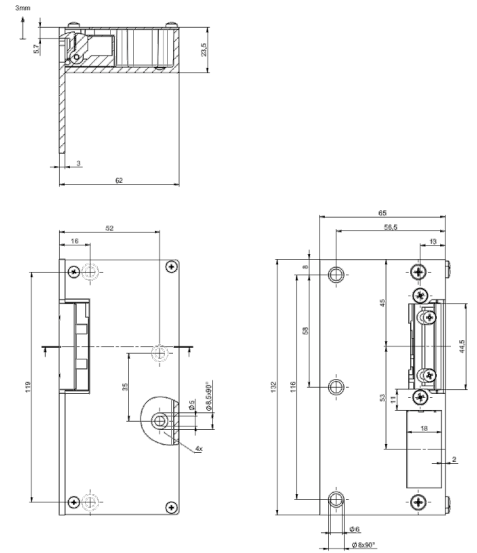
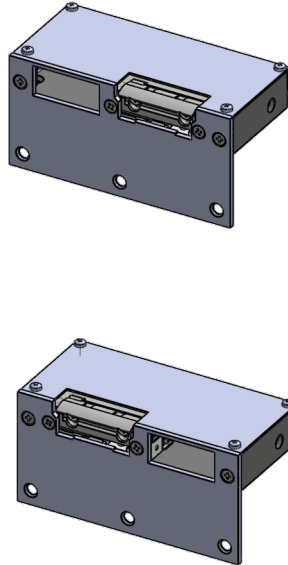
Door Safety



eff-eff brand Electric Door Openers „FaFix“

new model - surface mounted for case locks with wide springbolts, suitable for DIN left or right mounting
 - with adjustable and fixable electric strike latch bolt
 - ideal to compensate for expansion at any time

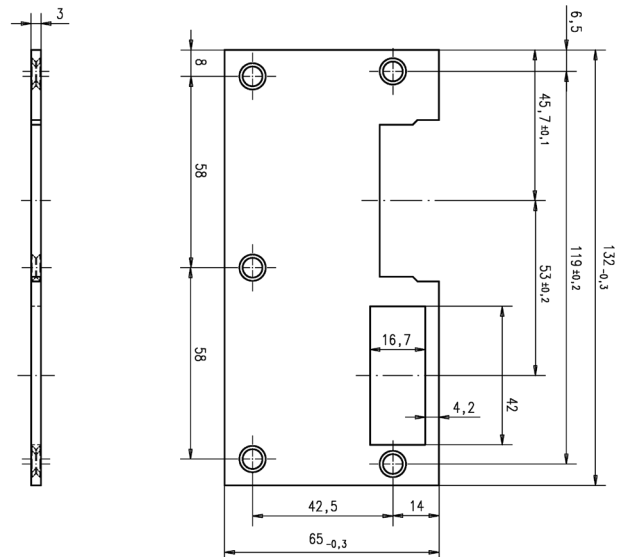
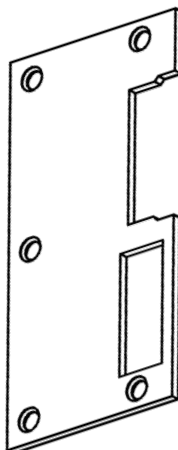
Art. No. **10K-118** **A3002D1119**



eff-eff brand Electric Door Openers

classic model - surface mounted for case locks with wide springbolts, suitable for DIN left or right mounting

Art. No. **10K/6-12** 6-12 V
 Art. No. **10K/24** 24 V

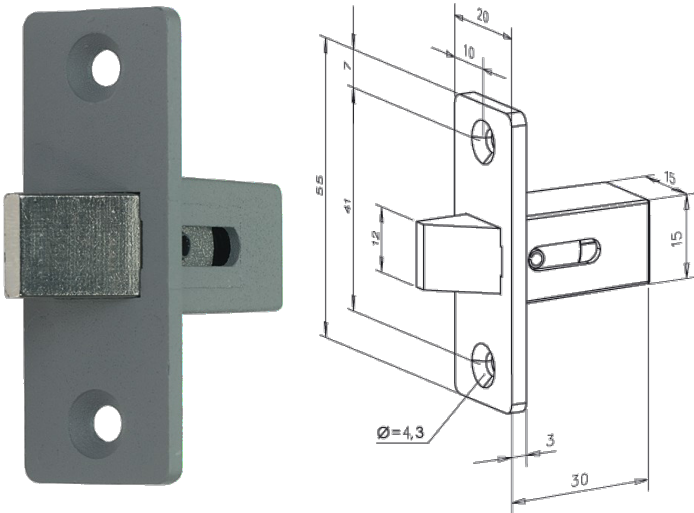


Door Safety

eff-eff brand Mortise Latches

small, easily mounted version - can be used as an additional locking mechanism in combination with fail unlocked electric strike

Art. No. **802/00** size: 55 x 20.0 mm - depth 30.0 mm

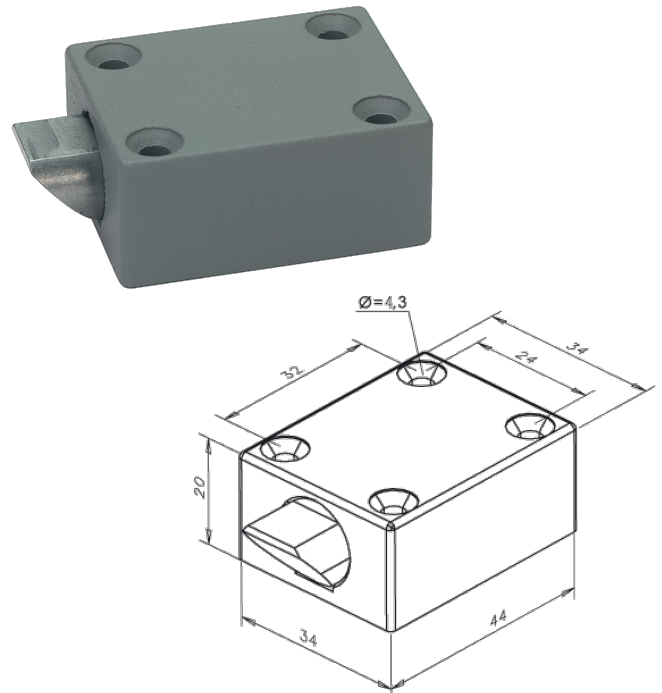


eff-eff brand Rim Latches

matching part for surface-mounted door strikes

- suitable for special structures
- is used as additional locking device with fail-unlocked door strike

Art. No. **804/00** size: 20 x 34.0 mm - depth 44.0 mm



eff-eff brand Electric Door Openers

- suitable for all common striking plates, housing made of die-cast zinc

- suitable for DIN right and left due to 180° fitting, 6-12V

Art. No. **14/D11** size: 90 x 20.0 mm - depth 28.2 mm

Art. No. **17/D11** size: 75 x 20.5 mm - depth 28.0 mm

17/D11

14/D11



eff-eff brand Push-Buttons

surface mounted push-button with key symbol - white colour

Art. No. **1010/00** size: 60 x 61.0 mm - depth 22 mm



Door Safety

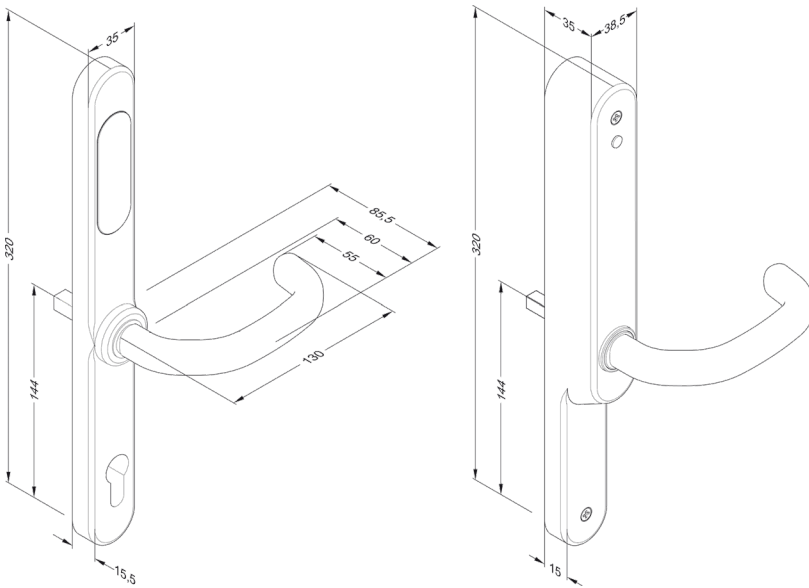


eff-eff brand ANYKEY® Security Door Fittings

the access code version of ANYKEY® is the ideal solution for applications requiring increased security

- designed for three to eight digit codes thus enabling a maximum of 100 million potential codes - stand alone device, suitable for door leaf thickness from 38 - 43 mm
- scope of delivery: 1 interior door fitting, 1 exterior door fitting, 1 mounting accessory kit, 4 batteries (type AA)

Art. No. **49610804011-B86**



eff-eff brand Flat Striking Plates

DIN left and right usable, thickness 3 mm

- Art. No. **02135-01** size 250 x 25 mm with dead bolt cutout
- Art. No. **09635-01** size 130 x 24 mm with latch bolt aperture

